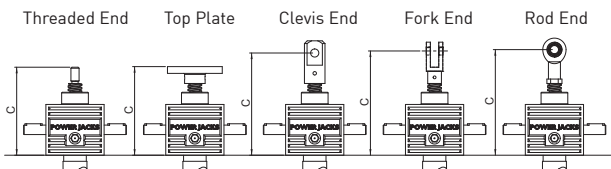


## Performance

Screw Jack Model		CM-0100	
Capacity	kN	100	
Lead Screw	Diameter (mm)	55	
	Lead (mm)	12	24
Gear Ratios	Option 1	8:1	
	Option 2	24:1	
Turn of worm for travel of lead screw	Option 1   1 Turn	1.5mm	3mm
	Option 2   4 Turn	2mm	4mm
Maximum Input Power (kW)	Option 1	3.75	
	Option 2	1.125	
Start up torque at full load (Nm)	Option 1	115.9	156.6
	Option 2	60.5	81.9
Maximum Through Torque (Nm)	Option 1	347.7	
	Option 2	181.5	
Static Efficiency	Option 1	0.206	0.305
	Option 2	0.132	0.195
Dynamic Efficiency	Option 1	0.272	0.388
	Option 2	0.190	0.271
Lead Screw Restraining Torque (Nm)	-	575	780
Worm Shaft Radial Load (N)		1000	
Maximum Input Speed (rpm)	-	1800	
Gear Case Material		SG Iron	
Weight (kg) - stroke = 150mm	Translating	19.5	
	Rotating	20.2	
Weight (kg) - per extra 25mm	Translating	0.32	
	Rotating	0.19	

## CMT0100 Closed Heights



Closed Height 'C'	Threaded End	Top Plate	Clevis End	Fork End	Rod End
CMT0100	250	250	295	354	335
Stroke (mm)	With Bellow Boots (B)				
0 - 500	270	270	315	374	355
501 - 1000	290	290	335	394	375
1001 - 1500	315	315	360	419	400
1501 - 2000	380	380	425	484	465

## CMT0100 Stop Nut

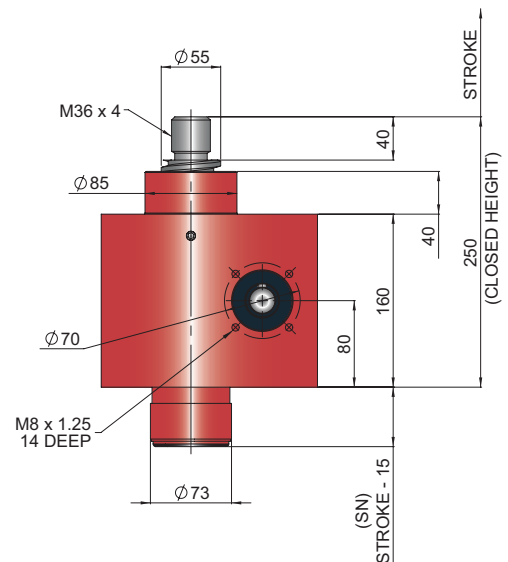
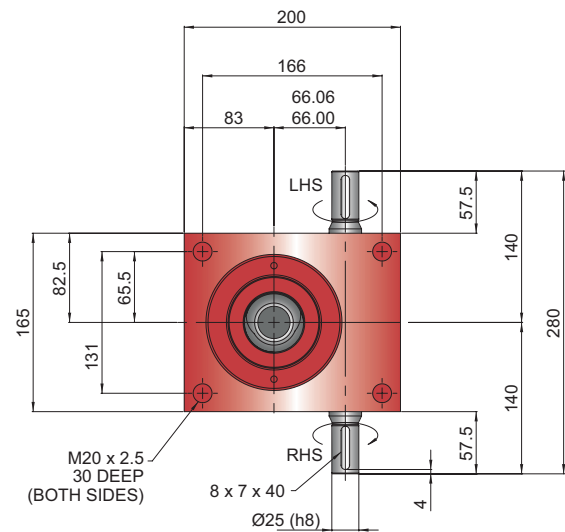


Stop nut provides a full power mechanical stop at the end of the lead screw. To be used as a safety feature in emergency conditions.  
SN = Stroke + 37mm

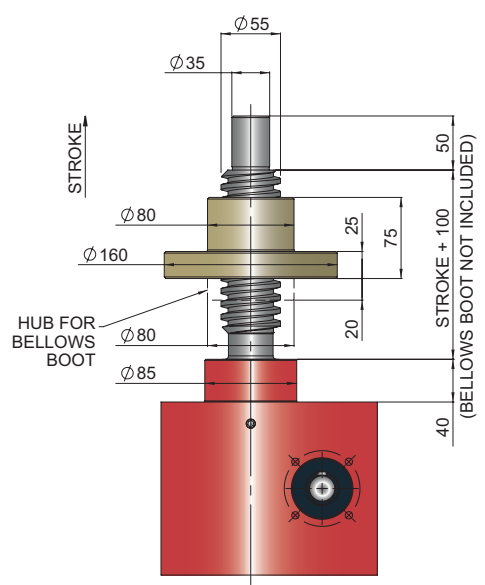
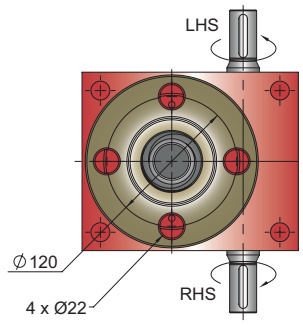
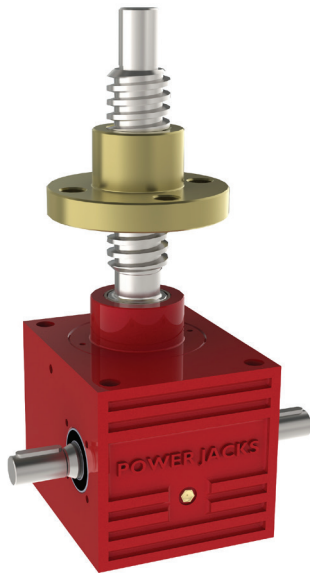
**Note:**

1. All dimension in millimetres unless otherwise stated.
2. Designs subject to change without notice.

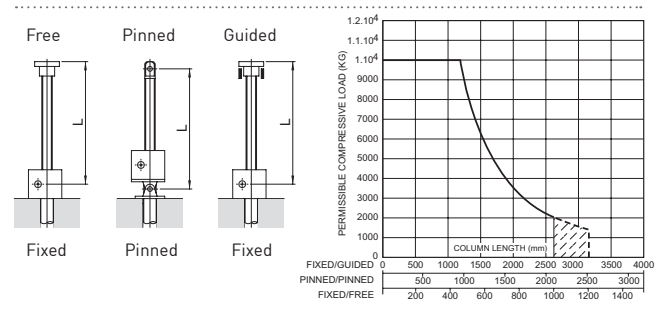
## CMT0100-C00



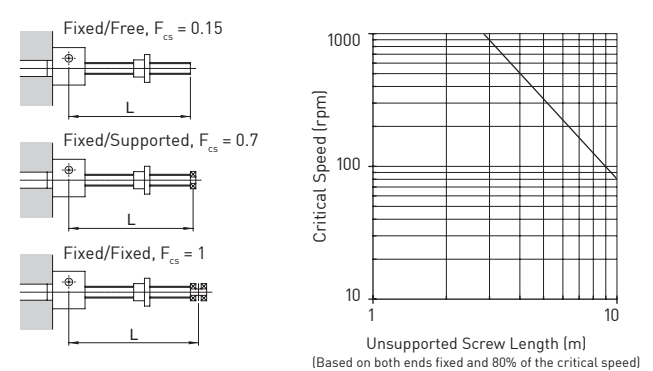
## CMR0100-C00



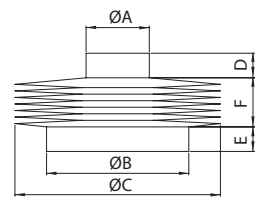
### Column Strength



### Critical Screw Speed



### Bellows Boot



	ØA	ØB	ØC	D	E
CMT0100	65	85	150	15	15
CMT0100 (Rod End)	58	85	150	15	15
CMR0100	80	85	150	15	15

Stroke	1 - 500	501 - 1000	1001 - 1500	1500 - 2000
F	30	50	75	140*

### Accessories & Options

	Anti-Backlash		End Fittings		Rotary Limit Switch Adaptor
	Anti-Rotation (Keyed)		Limit Switches		Double Hub Nut
	Safety Nut		Motor Adaptors		Drives
	Trunnion Mounts		Corrosion Protection		Secondary Guide